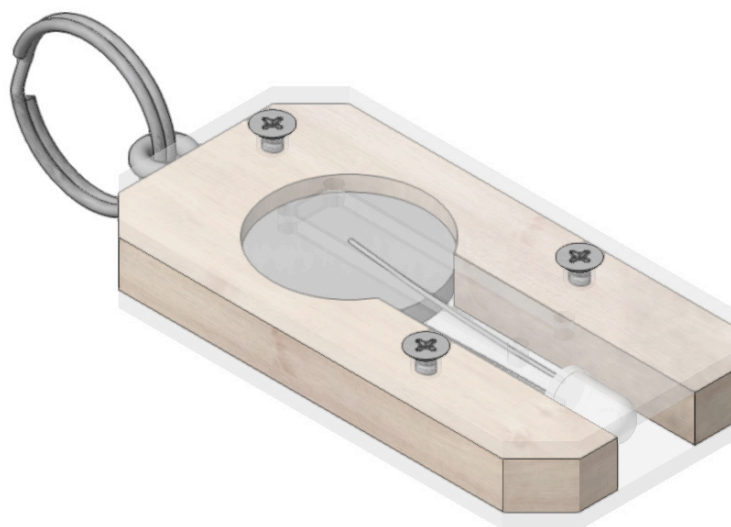
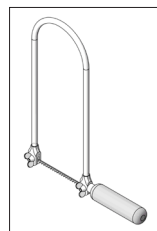


124.856

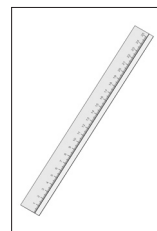
# Portachiavi LED



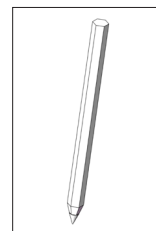
## Utensili necessari:



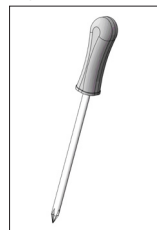
Seghetto da traforo



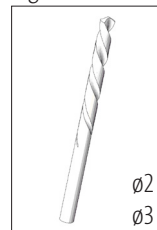
Righello



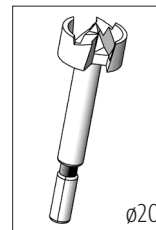
Matita



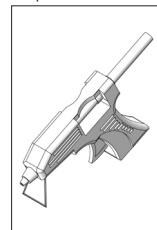
Cacciavite



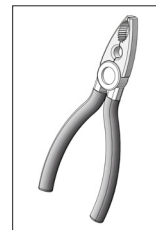
Trapano elicoidale



Punte Forstner



Pistola colla calda

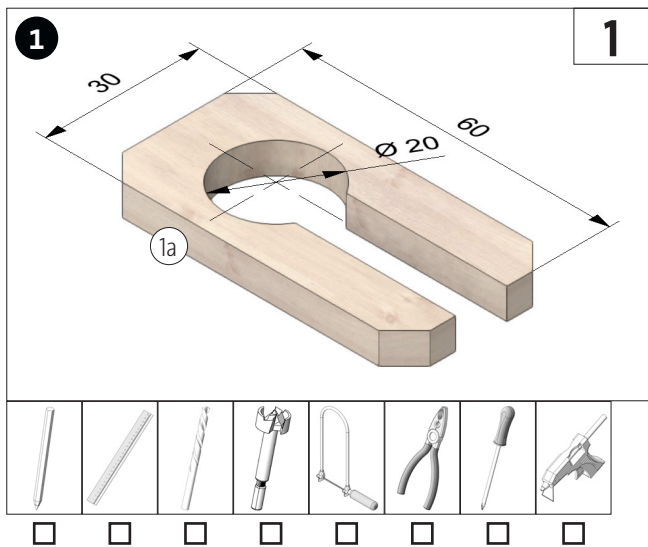


Pinza multiuso

### Avvertenzal:

Kit della OPITEC non sono oggetti a carattere ludico che normalmente si trovano in commercio, ma sussidi didattici atti a sostenere l'insegnamento e l'apprendimento. Questi kit possono essere costruiti ed utilizzati da bambini e ragazzi solo sotto la guida e la supervisione di adulti esperti. Non adatto per bambini sotto i 36 mesi. Pericolo di soffocamento!

Liste de pièces	Quantité	Dimensions (mm)	Description	N° de pièce
Pannello di compensato	1	60x45x6	Alloggiamento	1
Vetro acrilico	2	60x60x2	Alloggiamento	2
LED bianchi	1		LED	3
Viti a testa svasata	6	ø2,2x6,5	collegamento a vite	4
Vite con occhiello	1		Attacco portachiavi	5
Anello portachiavi	1	ø20	Anello portachiavi	6
cella a bottone	1		cella a bottone	7




---

---

---

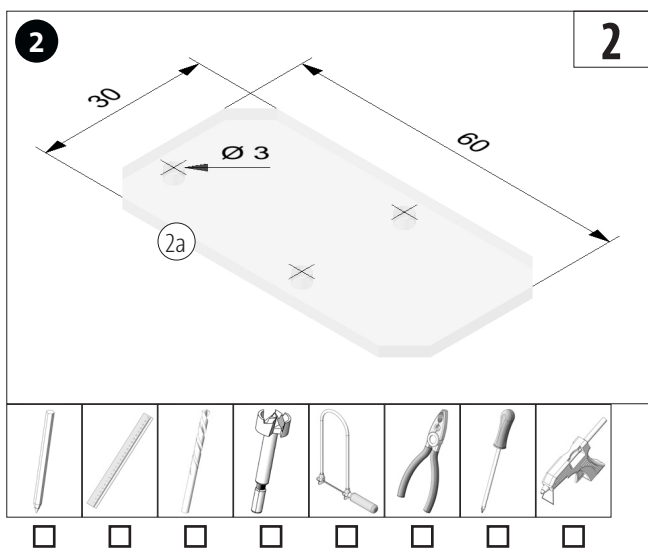
---

---

---

---

---




---

---

---

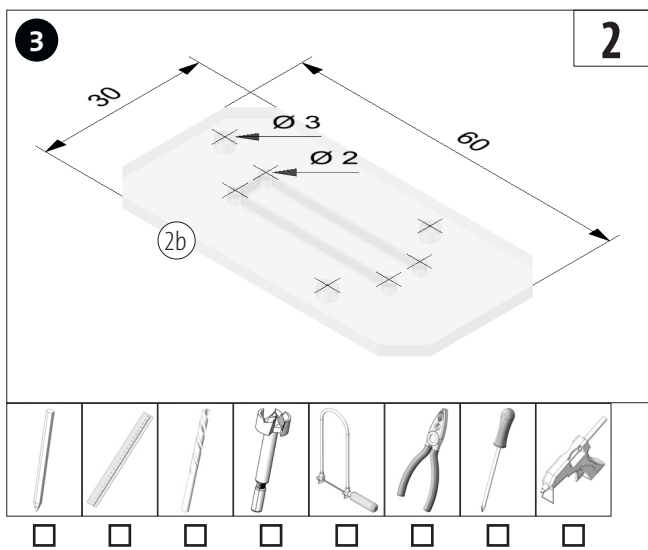
---

---

---

---

---




---

---

---

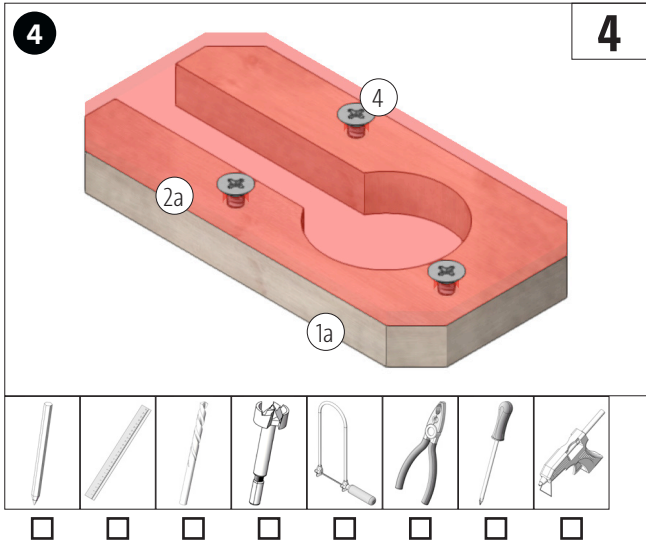
---

---

---

---

---




---

---

---

---

---

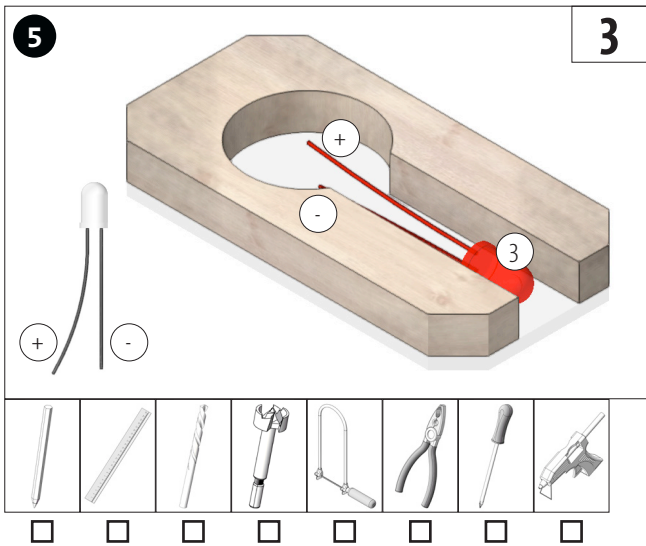
---

---

---

---

---




---

---

---

---

---

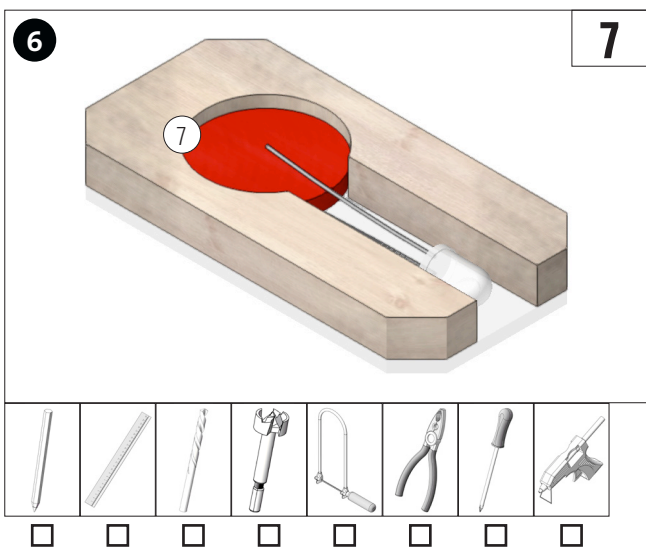
---

---

---

---

---




---

---

---

---

---

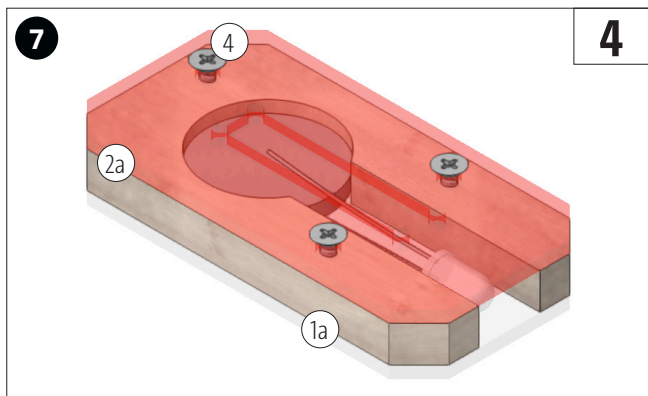
---

---

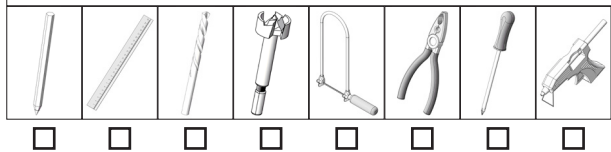
---

---

---



4




---

---

---

---

---

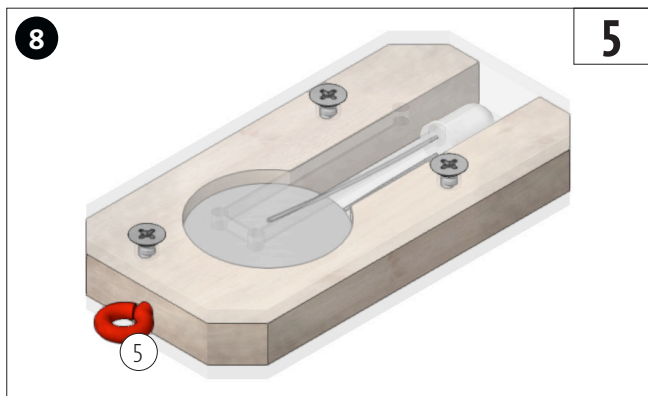
---

---

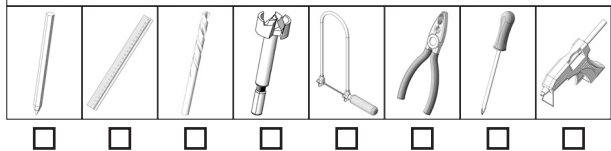
---

---

---



5




---

---

---

---

---

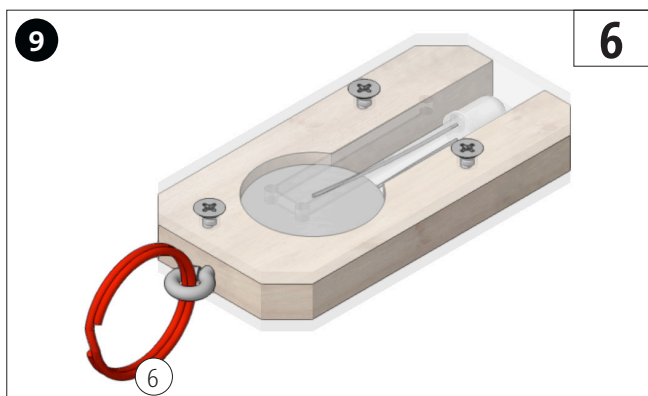
---

---

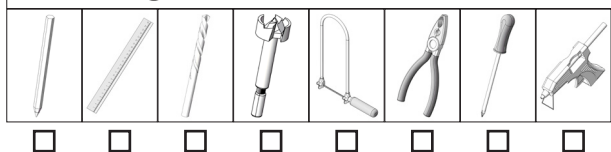
---

---

---



6




---

---

---

---

---

---

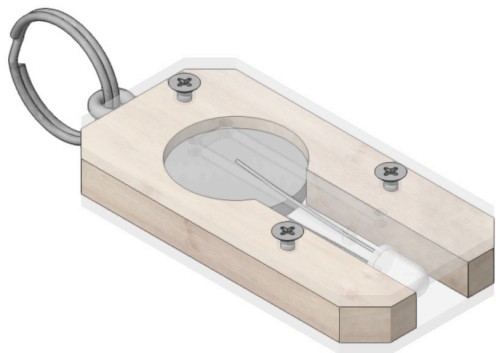
---

---

---

---

10



---

---

---

---

---

---

---

---

---

---